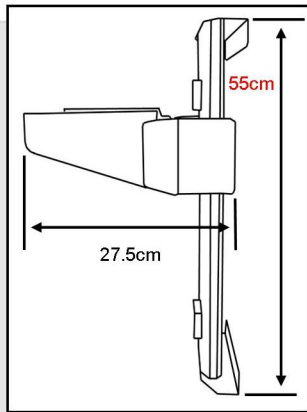


Horn AIR-LIFTER

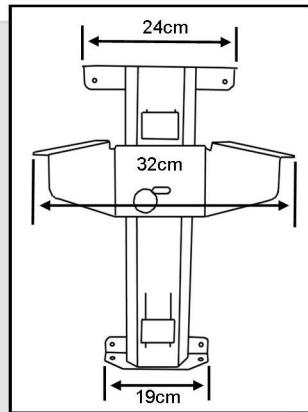
- Horn rear mounted 3 step sewing machine air-lifter

- Now made with a deeper drop (55cm- previous lifter 50cm) and a more powerful gas lifter to cope with today's larger, taller & heavier sewing machines.
- Versatile fixing ability with multi-hole brackets.
- Easier fitment or removal due to its all in one style.
- Smooth & simple to operate lifting operation.
- Solid movement on 8 steel ball roller bearings.
- Fitted with a position locking screw.
- Automatic push-down release mechanism, (no levers), enabling an easy lifting and storing operation for your sewing machine.
- 3 adjustable stop positions.
- Durable zinc plated finish on the mast.
- Solid, reliable German made quality.

Side dimensions



Front dimensions



New improved design, made to deal with today's larger heavier sewing machines



German made quality!

Now made with a deeper drop & fitted with a more powerful gas lifter!