

- another great idea from Horn-
Ideal for all types of hobby... Sewing, Quilting, Patchwork, Cutting, Piecing....Anything!!



This is real magic!

Your sewing machine can be operated in either a table top position (for free-arm or embroidery use etc...) or lowered for our inset to be fitted around it to give a huge flatbed sewing position. Alternatively you can remove your machine entirely and use it as a large cutting out surface. There's even a purpose made cutting mat available (like the HILO) which is made to fit the table dimensions perfectly.



It easily & conveniently folds up out of the way when not being used



NEED MORE STORAGE?
You can add a Rolla storage unit to match in with this model!



Unrivalled freedom & Comfort.
No more kneeling, bending or stoopingfor anyone

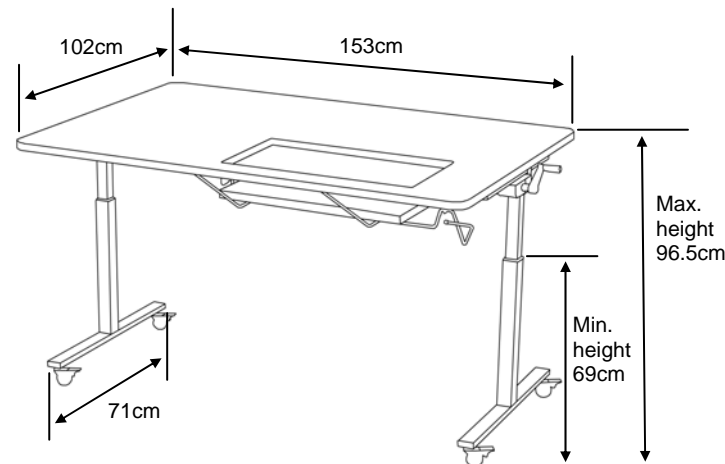
- ▶ Tough, knock resistant ABS edging surrounds the top of the table- for increased durability.
- ▶ 1" thick table top for extra strength.
- ▶ Tilts for storage by means of a pull release catch mechanism to give back valuable floor space to a room.
- ▶ Easily height adjustable by simply turning a crank handle.
- ▶ Can be raised to work on above other furniture in the room.
- ▶ A large height adjustment range to suit virtually any user. Can be lowered to sit at or raised to stand and work at.
- ▶ Clever platform for the sewing machine to rest on; can either be dropped for flatbed use or raised for free-arm or embroidery arm use.
- ▶ Maxi aperture; giving it the ability to fit even the largest sewing machines on the market.
- ▶ 1 inset to fit sewing machine included
- ▶ Easily mobile on 4 large lockable wheels.

Fitted with our Horn Maxi sized opening!
Ideal for the new extra large sewing machines, such as- the Bernina 700 & 800 series, Brother V series, Janome Horizon Range and Husqvarna Diamond amongst others but its not just for larger machines its also ideal for any size of domestic sewing machine!



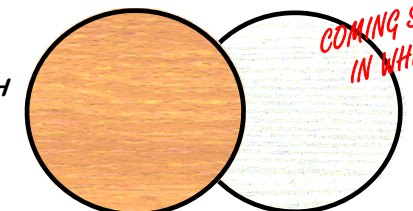
Easy and quick height adjustment by the turn of a handle. What could be more reliable or simpler?

Great table size; 60" by 40"
Ideal for all craft use.
Full size cutting mat available for this table



4 large, rubberised, lockable castors

Colour Chart



Beech, White

THE BEECH IS SOON TO BE REPLACED WITH WHITE. A LIMITED QUANTITY OF BEECH IS STILL AVAILABLE BUT ONLY WHILST STOCKS LAST.

COMING SOON IN WHITE!