

The
QUILTER'S
DELIGHT Mk2

- a uniquely designed Quilting table.... for you & your sewing machine!

It's what you've been asking for and now here it is....
Introducing the New Quilter's Delight Mk2. You wanted :

- ▶ A large working area positioned all around you and able to support even the largest projects,
- ▶ A handy support to the right of the machine,
- ▶ A greater seating area ,
- ▶ More drawer storage,
- ▶ A large flat area to cut out / piece on when the machine is away,
- ▶ Arrives with everything included for one unbeatable price,
- ▶ The ability to accommodate even the largest sewing machines,

It's what you've been waiting for.... Order yours today!!

INCLUDED- the QD2 is automatically supplied with a filler piece (not pictured here) which fills in the hole left when your machine is stored away, so with the back area up it will create a large solid cutting area.

Huge working area when your machine is away and the back area is up



The QD2 - with the back work surface down



The QD2 - with the back work area up - rigid stability on the 2 supporting legs!

You can add to your storage with our Rolla storage unit



A work bench purpose made for Quilting!

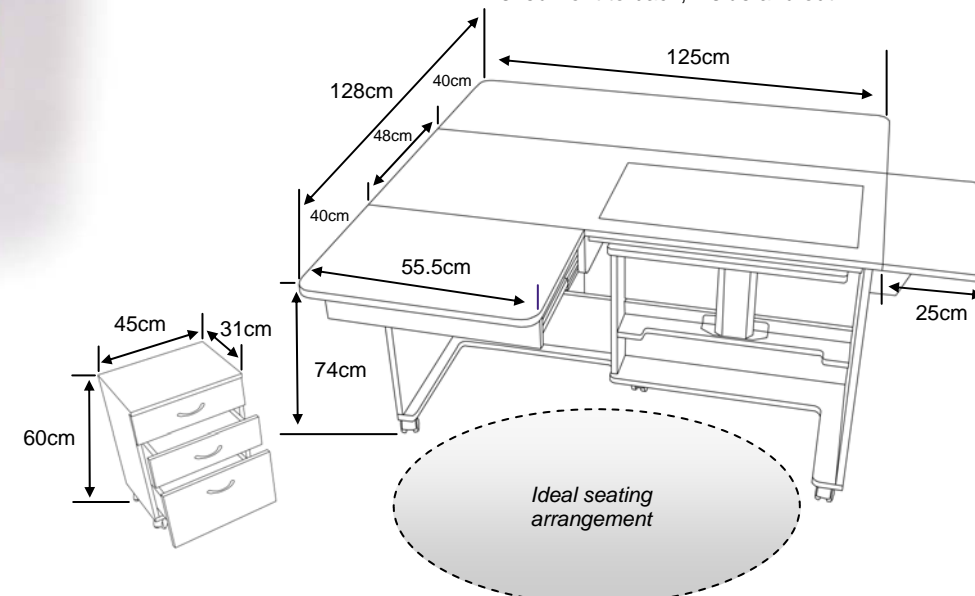
INCLUDED- a handy mobile set of drawers which when stored sits tidily inside the main table, so reducing its floor space, but when pulled out to be used it can be moved to any position best suited for you. (In this picture the front flap has been removed to show how neatly the drawers store underneath)



Fitted with our Horn Maxi air-lifter!
Ideal for the new extra large sewing machines- such as the Bernina 800 series, Brother V Series Janome Horizon Range & Husqvarna Diamond amongst others but its not just for larger machines its also ideal for all normal sized domestic sewing machines too!

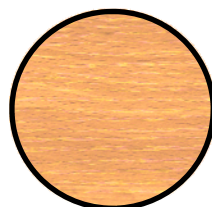
(Take a look at the back page to see how the air-lift works)

- ▶ Centre of the needle sitting position, allows you to be directly in front of the needle when sewing.
- ▶ Extra stable, open base construction; 7 easy rolling lockable castors (main unit) & 4 on the set of drawers, attached to a specially designed reinforced frame.
- ▶ 3 step push down release air-lift mechanism means a quick push down moves your machine from storage to flatbed to free-arm positions and will fit virtually all domestic sewing machines on the market old or new!
- ▶ A Handy set of mobile drawers included.
- ▶ Back work area behind the sewing machine. Lifts up easily when needed and down when not (so it doesn't have to be open all the time). It has a very sturdy dual gate leg design with Quilters/ Patchworkers in mind but is ideal for all sewing projects.
- ▶ Additional filler piece (not shown) included. So you can fill in the hole that is left when the machine is down. This gives you a large area to cut out, piece on etc.....
- ▶ Extra work surfaces to the right & left of you.
- ▶ Handy storage 'cubby hole' under the left side flap for machine accessories.
- ▶ Comes fully assembled, the cabinet is beautifully finished front to back, inside and out.



CLOSED - WIDE 127cm (50") DEEP 52cm inc. drop leaf back (20") HIGH 74cm (29")

Colour Chart



Beech

The QD2 - opens up to offer you not only a huge supported work space every where you need it but a great deal of storage too!

Please note that this cabinet is very big and any stairs mounted will be at the driver's discretion

MODEL 2032 Price includes flatbed insert