

- the ECLIPSE puts all the others in the shade



Centre of needle sewing position - ideal for Quilters. Fitted with our longer air-lifter.

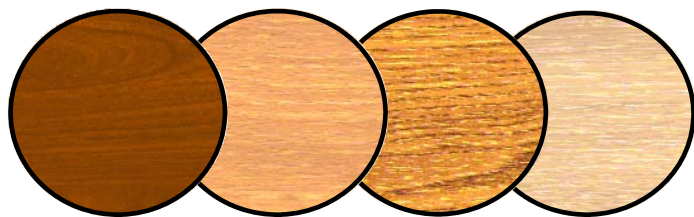
The cabinet that changed tradition. From first viewing the advantages are immediately clear, it's compact, it glides easily into position on 8 castors, It's able to fit both a sewing machine and an overlocker, it's fitted with the longer lifter to allow it to fit the new longer armed machines, It has an angled door not only to reduce swing out space into the room but also allow the door bins to recess under the lid to prevent catching of material and at the same time giving more support to the lid, it's available in 4 popular finishes, it's lockable with a key, it's got loads of storage and it's got a back work area. The Eclipse puts all the others in the shade.



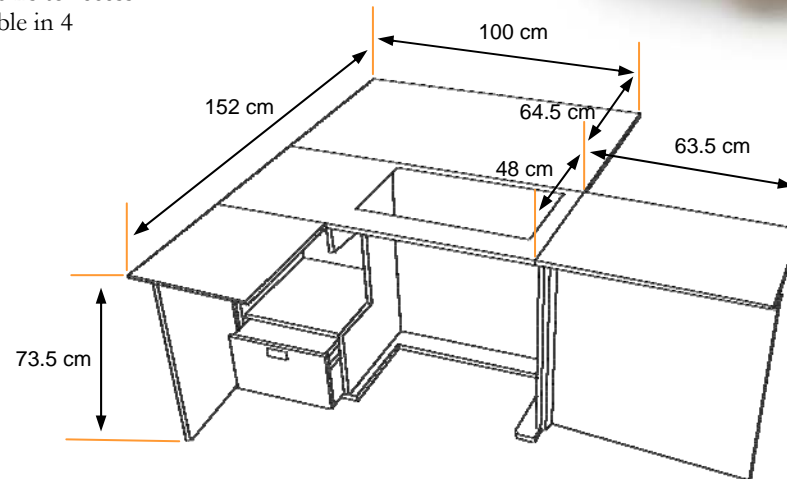
The ECLIPSE - With the back flap down it's ideal for a corner of a room

- ▶ Centre of the needle sitting position, allows you to be directly in front of the needle when sewing.
- ▶ Extra stable, open base construction; 8 easy rolling lockable castors, are attached to a specially designed reinforced frame.
- ▶ 3 step Soft- touch air lift system means a gentle push moves your machine from storage to flatbed to free-arm positions and will virtually fit all domestic sewing machines on the market old or new!
- ▶ Spacious, see through door storage bins make finding thread etc.. easy.
- ▶ Door storage bins are recessed under the lid by means of a specially constructed angled door system this allows your fabric to drape down without catching or disturbing the door bin contents.
- ▶ The work surface is fitted with flush mounted non snag hinges.
- ▶ A large deep drawer with steel gliders.
- ▶ Huge work area at the back of the machine. Lifts up easily when needed and down when not (so it doesn't have to be open all the time). It has a very sturdy gate leg design with Quilters/ Patchworkers in mind but is ideal for all sewing projects.
- ▶ Stores both a sewing machine and an overlocker. Or maybe a second smaller craft class machine
- ▶ Entire cabinet glides closed, and locks for child safety when not in use.
- ▶ Handy storage holder for your machine insert.
- ▶ Attractive soft formed edging finish to the tops
- ▶ Comes fully assembled, the cabinet is beautifully finished front to back, inside and out.

Colour Chart



Teak, Beech, Medium Oak, Light Oak



CLOSED - WIDE 110cm (39½") DEEP 48cm (19") HIGH 76cm (29¾")

Beautifully finished soft formed edges



The ECLIPSE - Very compact when Closed

MODEL 2021 Price includes flatbed insert.